

Salamanders

Electric Salamander, open on 3 sides - 600mm

ITEM # _____

MODEL # _____

NAME # _____

SIS # _____

AIA # _____



- | | |
|------------------------------|--|
| 283014 (E0UUAEBOMOA) | Electric Salamander, open on 3 sides, 600 mm, accepts GN 1/1 |
| 283015 (E0UUAADBOMOA) | Electric Salamander, open on 3 sides, 600 mm, accepts GN 1/1 |

Short Form Specification

Item No. _____

Constructed in AISI 304 stainless steel. Table top model can be hanged on the wall with wall brackets (optional). Open on 3 sides. Incoloy heating elements placed in the upper deck, and can be tilted for easy cleaning. Upper desk is movable, sliding up and down along runners. 2 independent cooking areas managed by 2 separate energy regulator. Air vents along the upper side for evacuating heat and smoke. Extractable drip trays and chromium-plated steel grids for easy cleaning.

Main Features

- Cooking plate size: 600 x 350 mm accept GN 1/1.
- Heat control with energy regulator.
- Open 3 sides for rapid cooling and ease of use.
- Heating elements can be tilted for easy cleaning under the moving deck.

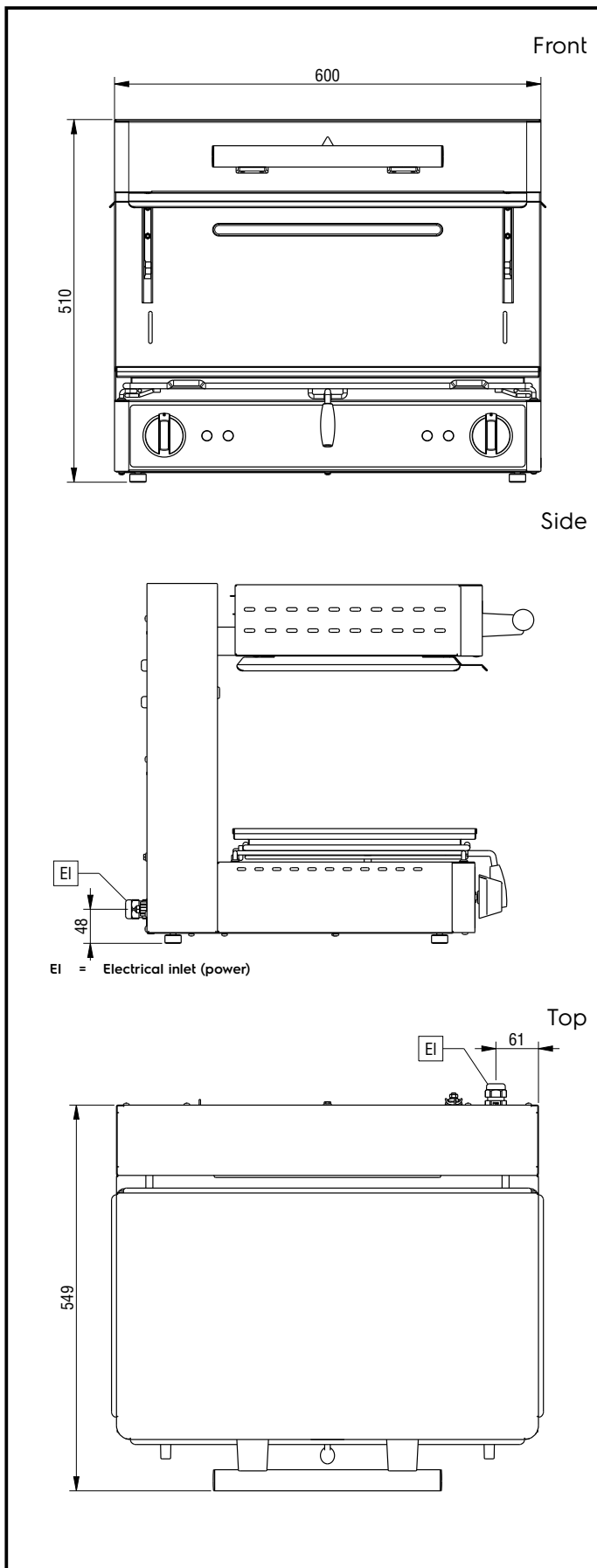
Construction

- Made of AISI 304 stainless steel.
- 2 independent tilting incoloy armoured heating elements.
- Air vents along the upper side for evacuating heat and smoke.
- Removable stainless steel drip tray.
- Movable upper plate.
- Chromium-plated steel grid with a safety stop to avoid accidental fall.
- Table top unit can be wall mounted with dedicated optional accessory.
- 4 rubber feet.

Optional Accessories

- Wall mounted brackets kit for salamanders open on 3 sides PNC 283035

APPROVAL: _____



Electric

Supply voltage:

283014 (E0UUAEBOMOA) 220-240 V/1 ph/50/60 Hz

283015 (E0UUADBOMOA) 380/415 V/3N ph/50/60 Hz

Electrical power, max:

4 kW

Key Information:

External dimensions, Width: 600 mm

External dimensions, Depth: 549 mm

External dimensions, Height: 510 mm

Net weight: 48 kg